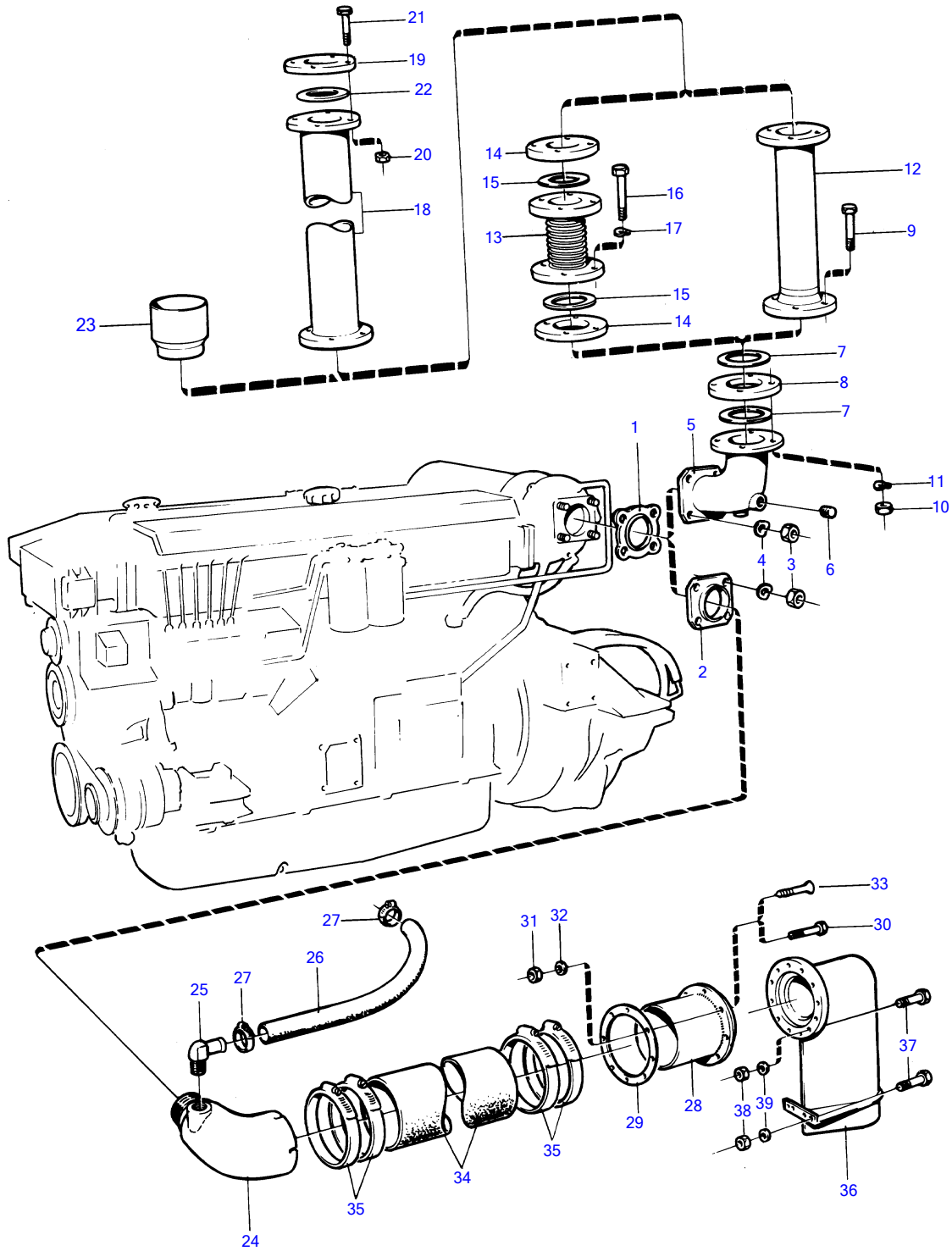


TAMD70D



4423

TAMD70D

REF	PART NO.	QTY	DESCRIPTION	NOTES
1	424631	1	Gasket	
2	823770	1	Flange	
3	943927	4	Hexagon nut	
4	941908	4	Spring washer	
5	836057	1	Exhaust riser	
6	192154	2	Plug	
7	862594	2	Gasket	
8	807625	1	Flange	
9	955592	4	Hexagon screw	
10	955829	4	Hexagon nut	
11	941912	4	Spring washer	
12	820900	1	Exhaust hose	L=590mm
13	(843087)	1	Compensator	L=85mm, Obsolete part
	843088	1	Compensator	L=185mm
14	820905	2	Flange	
15	862594	2	Gasket	
16	955591	8	Hexagon screw	Early type
	955365	8	Hexagon screw	Late type
17	941912	8	Spring washer	
18	807704	1	Muffler	
19	(842004)	2	Weld flange	Obsolete part
20	955829	8	Hexagon nut	
21	955591	8	Hexagon screw	
22	862594	2	Gasket	
23	(837614)	1	Connector	Obsolete part
24	836745	1	Exhaust riser	
25	943134	1	Elbow nipple	
26	(13430)	X	Rubber hose	L=550mm, Obsolete part
27	943476	2	Hose clamp	
28	836757	1	Hull fitting	
29	836758	1	Gasket	
30	941815	8	Cross recessed screw	L=45mm
31	940190	8	Hexagon nut	
32	(836768)	8	Spring washer	Obsolete part
33	(836769)	8	Wood screw	Alt L=38mm, Obsolete part
34	828489	X	Exhaust hose	
35	943485	4	Hose clamp	
36	836823	1	Muffler	
37	(959942)	16	Hexagon screw	Obsolete part
38	940190	16	Hexagon nut	
39	940191	16	Washer	